

# MC15 and MC20 Cyble

## Multi jet meter for residential application

### Key Features

- ▶ Multi jet
- ▶ Class C
- ▶ Copper Cyble Register



- ▶ Pre-equipped Register for Automatic Meter Reading



The MC is a multi jet turbine water meter.

The meter may be used in a variety of different installations.

It combines the long term reliability of extra-dry registers with the durability of hydraulic components.

The meter body and cover are made of brass or bronze and lid is made of stainless steel or plastic.

The MC is a cold water meter available in two sizes, 15 and 20 mm.

### Reliability

- 100% of the products are calibrated on an electronic calibration bench
- Used around the world in all types of environmental conditions

### Metrological Performances

The meter performs to the requirements of EEC Class C approval when used in horizontal position.

### Standards Compliance

- EEC Directive 75/33
- ISO 4064 Provisions
- OIML IR 49 Provisions

### Technology

In order to guarantee top metrological performance, the turbine **1** has an appropriate hydrodynamic balance, supported by high-performing hinges **2**. Furthermore, the magnetic transmission **3** is made with well designed magnets and the gears are designed to minimize resistance from friction.

### Communication

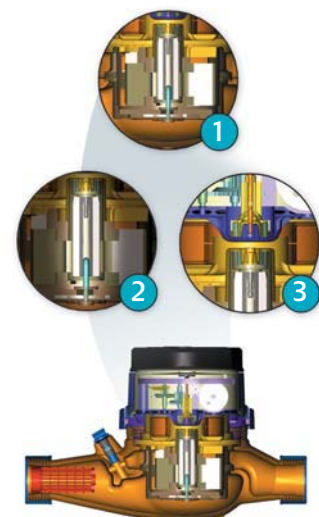
The MC is supplied pre-equipped with the Cyble register Target.

This allows communication and remote reading through:

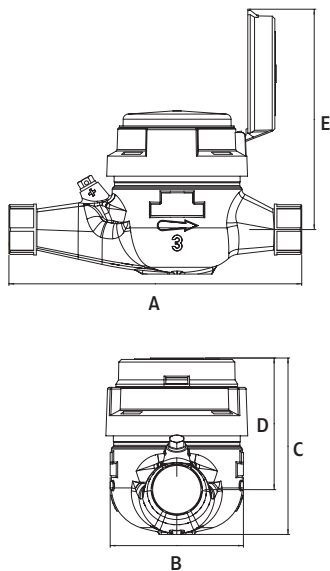
- Pulse output (Cyble Sensor)
- M-Bus protocol (Cyble M-Bus)
- Radio frequency wireless link (Cyble RF)

### Key Advantages of Cyble Technology

- No need for additional investment on the meter itself to implement remote reading.
- Actaris standard meter interface, irrespective of meter technology.
- Reliable electronic switch (no wear or bouncing).
- It enables reverse flow management.
- Principle proven on the field with a 20 years experience
- Communication is immune to magnetic tampering.



## Dimensions



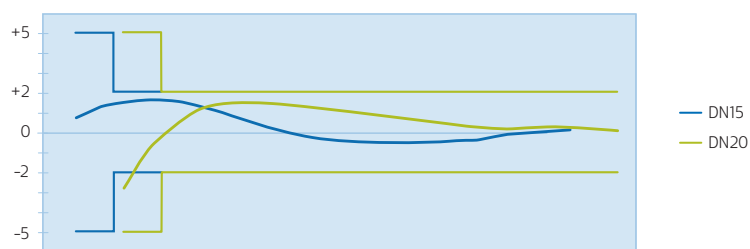
Nominal diameter (DN)	15	20
Meter threads	3/4"	1"
A	mm 165/170/190	190
B	mm 80	80
C	mm 70	70
D	mm 100	100
E	mm 120	120

## Technical Characteristics

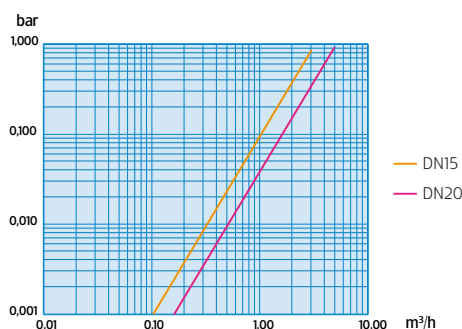
### Metrological Performances

Nominal diameter (DN)	mm	15	20	
	inches	1/2"	3/4"	
Metrology classes (horizontal position)		Class C		
Maximum admissible temperature	°C	40		
Max. temperature for short period	°C	50		
Maximum admissible pressure	bar	16		
Pressure loss group at Qmax	bar	<1		
Starting flow rate	L/h	8	12	
Minimum flow rate	Qmin	L/h	15	25
Transitional flow rate	Qt	L/h	22.5	37.5
Nominal flow rate	Qn	m³/h	1.5	2.5
Maximum flow rate	Qmax	m³/h	3	5
Indicating range	m³	99999		
Minimum scale interval	L	0.02		

## Typical Accuracy Curve



## Head Loss



For more information, please contact your local agency.



**Actaris**  
**Water International**

125, rue de Paris  
91301 Massy cedex - France  
www.actaris.com

tel +33 1 69 93 67 60  
tel +33 1 69 93 68 59  
fax +33 1 69 93 68 68