

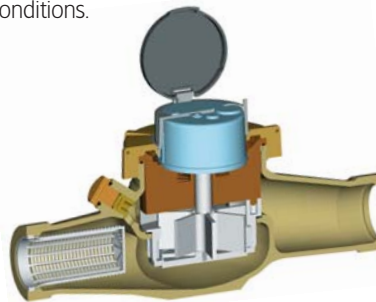
# MSD Cyble™

## Multi-jet Turbine Water Meter

Available in sizes DN 25, 30, 40 and 50, MSD Cyble is a class B multi-jet turbine meter for commercial applications.

### The Technology

Extra dry register design (direct magnetic transmission without any gear in the metered water) results in a meter able to withstand any kind of potable water conditions.



### Metrological Performances

The meter performs to the requirements of EEC Class B approval when used in horizontal position.

### Easy to Read

Its easy-to-read index is made of 8 large rollers and is orientable 360°.

### Standards Compliance

- EEC Directive 75/33
- ISO 4064 Provisions
- OIML IR 49 Provisions

### The MSD Cyble is supplied pre-equipped with the Cyble Target

All MSD Cyble meters are pre-equipped with the Cyble target allowing communication, remote reading and data analysis through:

- Pulse output (Cyble Sensor)
- M-Bus protocol (Cyble M-Bus)
- Radio frequency wireless link (Cyble RF)

### Key Advantages of Cyble Technology

Pre-equipment of a wide range of Actaris meters.

- No need for additional investment on the meter to implement remote reading
- Actaris standardized meter interface, irrespective of meter technology and used on all Actaris water meters from Dn 15 to Dn 500
- Reliability
- Reverse flow management
- Electronic switch (no wear or bouncing)
- Proven principle used for years on Actaris heat meters
- Patented



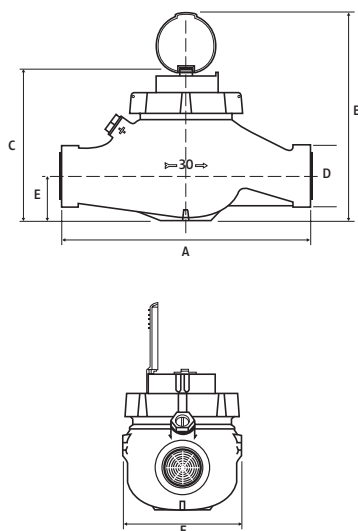
► MSD Cyble Register



► Cyble RF fitted on MSD Cyble meter



## Dimensions



## Technical Characteristics

Nominal diameter (DN)	mm	25	30	40	50
	inches	1"	1" 1/4	1" 1/2	2"
<b>Metrological Performances</b>					
Starting flow-rate	L/h	25		70	90
Minimum scale interval	L		0,05		0,5
Indicating range	m <sup>3</sup>	99999.999		999999.99	
Max. temperature for short period	°C	50			
Maximum admissible pressure	bar	16			

### EEC Approval Values

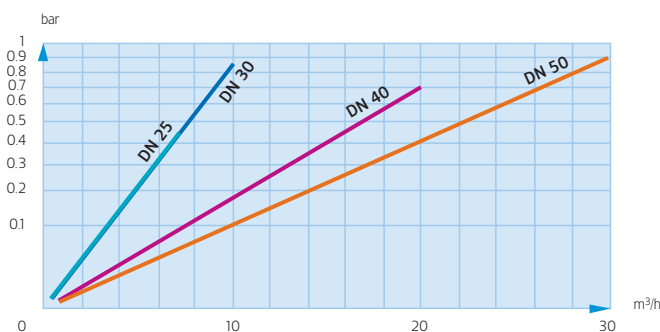
Q <sub>max</sub>	m <sup>3</sup> /h	7	10	20	30
Q <sub>n</sub>	m <sup>3</sup> /h	3,5	5	10	15
Q <sub>t</sub>	m <sup>3</sup> /h	0,28	0,4	0,8	3
Q <sub>min</sub>	m <sup>3</sup> /h	0,07	0,1	0,2	0,45
Pressure loss group at Q <sub>max</sub>	bar	0,6	1	1	1
Maximum admissible temperature	°C	30			
EEC/ISO approval certificate		F99.00.382.008.0			

## Dimensions

Nominal diameter (DN)	mm	25	30	40	50
	inches	1"	1" 1/4	1" 1/2	2"
A ISO	mm	260		300	
B	mm	190		222	250
C	mm	124		155	182
D	inches	G 1" 1/4 B	G 1" 1/2 B	G 2" B	G 2" 1/2 B
E	mm	34,5		45	53
F	mm	103		128	132
Weight (meter)	Kg	2,1	2,2	4,5	10

50 mm flanged version (ISO or DIN length) upon request.

## Head loss



For more information, please contact your local agency.

**Actaris**  
11, Boulevard Pasteur  
67500 Haguenau - France

**tel** +33 3 88 90 63 00  
**fax** +33 3 88 90 63 20

**Actaris S.p.A.**  
Strada Valcossera, 16  
14100 Asti - Italy

**tel** +39 0141 477077  
**fax** +39 0141 477177

For more information, see [www.actaris.com](http://www.actaris.com)