



DXmic / DXmic Pro

Digital Ground Microphone

DXmic is the latest generation digital ground microphone developed to precisely localise the position of a leak.

Delivering the highest quality sound, DXmic incorporates a wide variety of features to help pinpoint a leak position, including auto filtering and frequency display.

DXmic Pro goes further, supporting the recording of leak noise, including the ability to replay recordings, and is also compatible with the DXmic App.



Key Features and Benefits

- **Excellent audio:** high quality digital sound
- **Resistive colour touch screen:** clear multifunctional graphics for ease of use; can be used with gloves
- **Durable:** robust housing with carry strap fittings
- **Wireless capability:** compatible with most wireless headphones
- **Frequency display:** for each analysis and filter setting
- **Auto filter function:** sets filters around peak noise
- **Flexible:** automatic and manual filters
- **Clear upgrade path:** compatible with Xmic foot and handprobe sensor
- **USB capability:** for data transfer and firmware updates
- **Long-life, rechargeable batteries:** Li-ion cells with up to 25 hours battery life
- **Safety Noise Level cut-off:** ensures user is protected should probes be dropped or mishandled
- **Minimum noise level display:** for effective pinpointing of leak noise

DXmic Pro

- **Improved automatic filtering:** supported by frequency analysis display
- **DXmic Pro App compatible:** download results to DXmic Pro App and replay leak noise recordings
- **Increased memory:** larger capacity to store leak noise recordings

Standard DXmic units can be upgraded to DXmic Pro. For more information on upgrading please contact your local distributor or HWM.

Applications

The DXmic includes a variety of filter functions designed to remove interference and eliminate unwanted frequencies. These filter functions include pre-set configurations for both metal and plastic pipes.

For operator safety, DXmic includes a Safety Noise Level cut-off feature. This automatically mutes the device should the noise being detected reach an unsafe volume.

The 5" LCD colour touch screen is resistive, meaning the operator can still interact with the screen while wearing gloves.

MONITORING ASSETS, DELIVERING DATA, BRINGING CONTROL

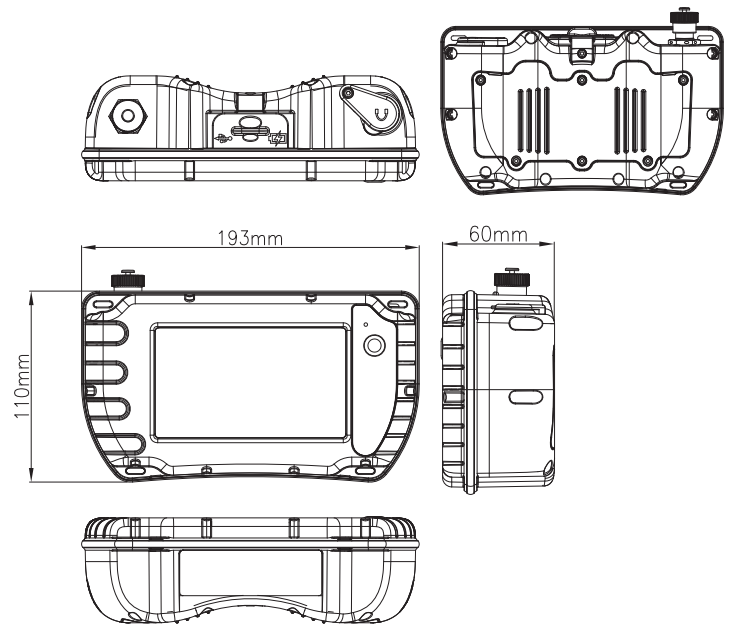
www.hwmglobal.com

DXmic / DXmic Pro

Digital Ground Microphone

Features

Auto Filter Function	Sets filters around peak noise: - filter selection with noise level indicator and frequency analysis - minimum level profiling - device settings
Frequency Range	0 to 5000Hz
Battery Life	Minimum 25 hours (battery saving) 15 hours (constant)
Battery Charge	Maximum 8 hours
Charger (not applicable to DXmic lite version)	Universal 110-240V AC mains charger with 12V DC output (optional in car adapter), all items can charge in case.
Dimensions	H = 193mm, W = 109mm, D = 60mm (7.5" x 4.2" x 2.3")
Display	5" Resistive LCD colour touch screen
Weight	600g (with batteries)
Operating Temp.	-15 to +50°C (5 to +120°F)
Ingress Protection	IP65
Headphones	Bluetooth compatible or wired headphones are supplied as standard. Studio or aviation quality headphones are available as alternative
Audio Protection	Automatic Safety Noise Level cut-off
Ground Microphone (Rmic)	High sensitivity piezo-electric sensor mounted in windproof, nitrile rubber housing - low noise - 1.5m cable - 2.9kg weight
Hand Probe Attachment (optional)	Hand probe is supplied with a tripod foot and two aluminium probe rods for sounding in soft ground. Each probe rod is 400mm in length
DXmic Pro Additional Features	As above, plus: - recording of leak noise - replay of leak noise through App - increased memory capacity



DXmic Pro App

Data Management

The DXmic Pro App is a convenient way to collect, collate and view data gathered by DXmic Pro devices. Through the app, audio files and site reports can be securely accessed and remotely transferred. For more information on the numerous options please contact your local distributor or HWM.



DXmic Kit Options

DXmic and DXmic Pro is available with a variety of different headphone and case options, as well as in a 'lite' version. For more information on the numerous options please contact your local distributor or HWM.



All images, text and designs are protected by international and UK copyright law and remain the property of HWM. It is against the law to copy or use any of the content from HWM website or literature without the written consent of HWM. HWM Ltd. reserve the right to vary the specification.



HWM Water Limited

Ty Coch House
Llantarnam Park Way
Cwmbran
NP44 3AW
United Kingdom

Tel: +44 (0) 1633 489 479
Fax: +44 (0) 1633 877 857
Email: sales@hwm-water.com
Web: www.hwmglobal.com

MONITORING ASSETS, DELIVERING DATA, BRINGING CONTROL